



UNDERCARRIAGE COMPONENTS FOR SUGARCANE HARVESTERS



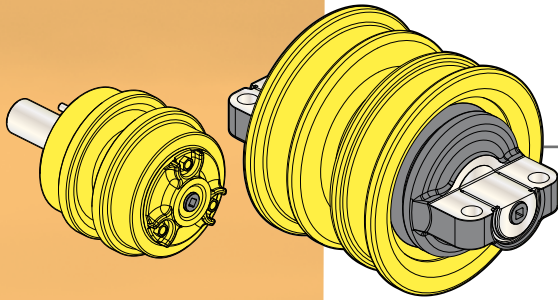
ITM is a worldwide leader specialising in the design, development and manufacture of undercarriage components and systems for earthmoving, construction, mining, agricultural crawler machines as well as specialised non-standard applications.

In response to the increasing demand for machines suitable to meet every specific application, ITM is proud to offer its range of undercarriage components specifically designed for sugar cane harvesting machines.

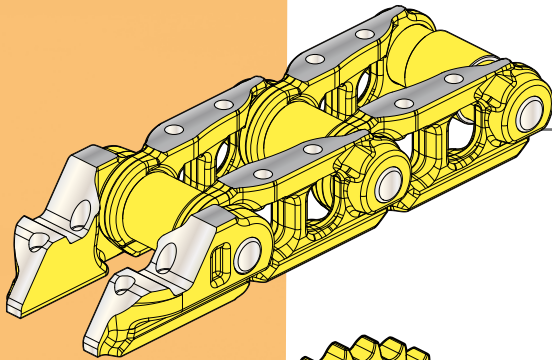
By the design and engineering expertise, extensive research and development, combined with the usage of the most advanced technologies, ITM develops innovative, reliable and competitive products, that meet the highest quality standards.

The Customer is ITMs focus: through a combination of localised manufacturing and a distribution network that covers most of the world, the ITM Group supports its customers through its proximity to them and its continuous monitoring of their needs.

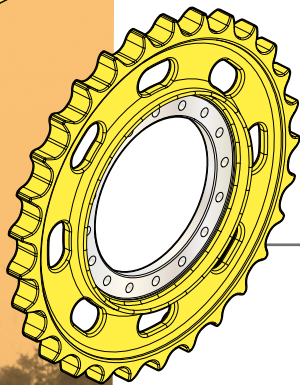




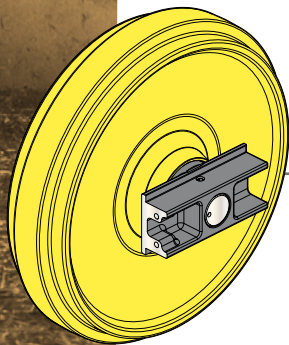
TRACK ROLLER
CARRIER ROLLER



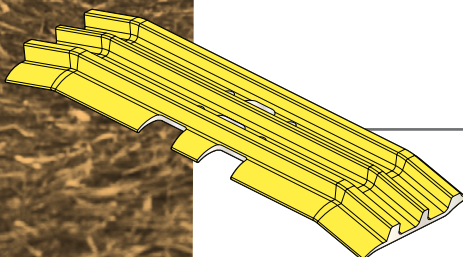
TRACK GROUP
TRACK CHAIN



SPROCKET



IDLER



TRACK SHOE

CASE A7700 & A8800

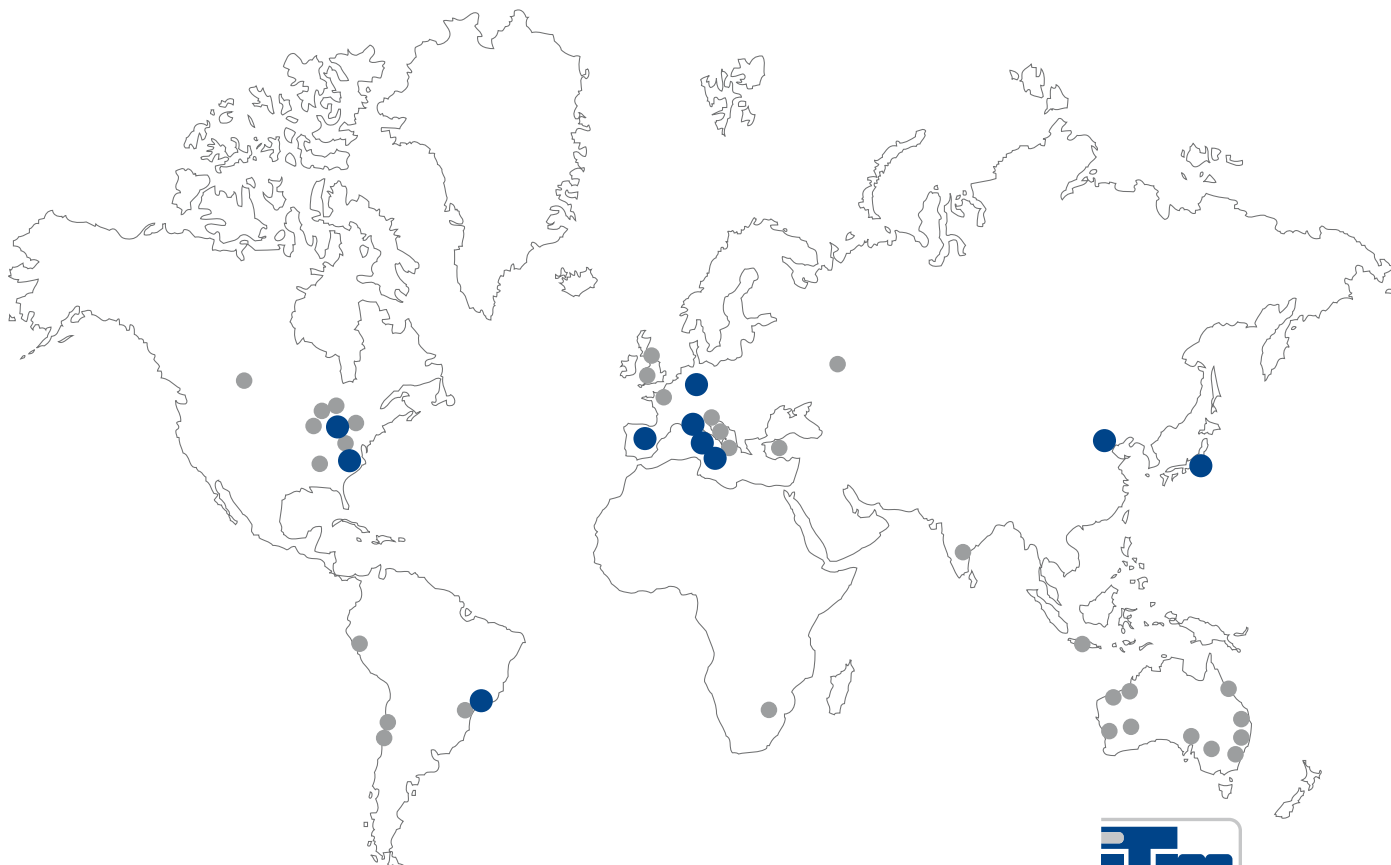
Brand	Machine Model	Chain Pitch (mm)
CASE	A7700 & A8800	171,45
Description	ITM P/N	
SEALED TRACK CHAIN A8800 HD/D5M (*)	D01040M0M00048	
P+B GRP STD	D01044M0N00048T	
P+B GRP OVER SIZE 0,10	D0104AM0N00048	
METAL SEAL WASHER	D0105000N09	
MASTER LINK RH	G01040M0N50	
MASTER LINK LH	G01040M0N60	
LUBRICATED TRACK CHAIN A8800 HD/D5M (*)	G01040L0M00048	
P+B GRP STD	G01044L0N00048	
SEAL GROUP	G01045L0M30	
SPACER	G01040L0N25	
MASTER LINK RH	G01040L0N50	
MASTER LINK LH	G01040L0N60	
BOLT MASTER TRACK SHOE 5/8"X88,90MM	D01040L0N34	
BOLT MASTER TRACK SHOE 5/8"X82,55MM	D01040H0N35	
TRACK SHOE 18"	Z01043L0N0460V	
TRACK SHOE 16"	Z01043L0N0406V	
BOLT SHOE	D0311000N15	
NUT SHOE	D01060C0N17	
SPROCKET CASE A8800	R1788000M01	
SPROCKET CASE A7700	R1777000M01	
SPROCKET RIM	Q01040L0M01	
IDLER GRP WITH SLIDE BARS	P01044I0M00T	
IDLER SHAFT	P0104000N02	
COLLAR IDLER RH	P01044L0M01	
COLLAR IDLER LH	P01044L0M02	
TRACK ROLLER GRP SF CPL	A01040A2M00T	
TRACK ROLLER GRP DF CPL	B01040A2M00T	
TRACK ROLLER SHELL SF	A0104200N01	
TRACK ROLLER SHELL DF	B01042A0N01	
SHAFT TRACK ROLLER	A01042E0N02	
FLOATING SEAL GRP	A01061A0N10	
BIMETALLIC BUSHING	A01043A0N20	
CARRIER ROLLER GRP CPL	C0104100M00T	
CARRIER ROLLER SHELL	C0104000N01T	
P+B GRP - STD HD/D5M FOR NOT ITM CHAINS	D0104A00N00048T	

(*) For A7700 and A8800 conventional D4E models use the same track chains of John Deere 3510/20/22 models.

JOHN DEERE

3510 / 3520 / 3522

Brand	Machine Model	Chain Pitch (mm)
JOHN DEERE	3510 / 3520 / 3522	171,05
Description	ITM P/N	
SEALED TRACK CHAIN - BUSHING 60MM	D14047N0M00048	
P+B GRP (BUSHING 57MM) OVER SIZE 0,10	DZ143AB0N00048	
P+B GRP STD (BUSHING 60MM)	D14044F0N00048	
P+B GRP (BUSHING 60MM) OVER SIZE 0,10	D1404AF0N00048	
METAL SEAL WASHER	D01040B1N09	
LUBRICATED TRACK CHAIN BUSHING 60MM	G14040Q0M00048	
P+B GRP STD (BUSHING 60MM)	G01044C0N00048	
SEAL GROUP	G0104500M30	
MASTER LINK RH	G14040L0N50	
MASTER LINK LH	G14040L0N60	
SEALED TRACK CHAIN - ROTATING BUSHING SYSTEM	D14040P0M00048	
P+B GRP STD	D14044G0N00048	
MASTER LINK RH	G14040P1N50	
MASTER LINK LH	G14040P1N60	
EXTERNAL BUSHING (CAP)	G14040P0N43	
METAL SEAL WASHER	D01040C0N09	
BOLT MASTER TRACK SHOE 5/8"X88,90MM	D17850H0N35	
BOLT MASTER TRACK SHOE 5/8"X82,55MM	D17850G0N35	
TRACK SHOE 16"	ZY4043F0N0406VT	
TRACK SHOE 18"	ZY4043F0N0457V	
BOLT SHOE 5/8"	D04100A0N15	
NUT SHOE 5/8"	D01060C0N17	
SPROCKET	R15040H0M01	
SPROCKET RIM (SOUL OUT OF CENTER)	Q01040L0M01	
SPROCKET RIM (SOUL CENTERED)	Q14040D1M01	
IDLER GRP WITH SLIDE BARS	P2190400M00	
TENSION GRP	P15198C0N00T	
IDLER SHAFT	A1404200N02	
COLLAR IDLER	P1404400M01	
TRACK ROLLER GRP DF CPL	B15040A2M00T	
TRACK ROLLER SHELL DF	B01042B0N01	
SHAFT TRACK ROLLER	A01042E0N02	
FLOATING SEAL GRP	A01061A0N10	
BIMETALLIC BUSHING	A01043A0N20	
CARRIER ROLLER GRP CPL	C0104100M00T	
CARRIER ROLLER SHELL	C0104000N01T	



Titan International
 Quincy, IL, USA
 Bryan, OH, USA
 Des Moines, IA, USA
 Freeport, IL, USA
 Saltville, VA, USA

Titan Tire Corporation
 Union City, TN, USA

Titan Pneus do Brasil Ltda
 São Paulo, Brazil

Voltyre-Prom
 Volgograd, Russia

Titan Mining Services (TMS) SWT
 Saskatoon, SK, Canada

Titan Mining Services (TMS) Titan Australia Pty Ltd
 Emerald, QLD, Australia
 Kalgoorlie, WA, Australia
 Karratha, WA, Australia
 Mildura, VIC, Australia

Muswellbrook, NSW, Australia
 Perth, WA, Australia
 Port Hedland, WA, Australia
 Sydney, NSW, Australia
 Whyalla, SA, Australia
 Yatala, QLD, Australia

Titan Mining Services (TMS) PT Titan Wheels Indonesia
 Jakarta, Indonesia

Titan Mining Services (TMS) Titan Wheels South Africa (Pty) Ltd
 Nuffield, Springs, SA

Titan Mining Services (TMS) Aros del Pacifico S.A.C.
 Lima, Peru

Titan Mining Services (TMS) Aros del Pacifico S.A.
 Santiago, Chile
 Iquique, Chile

Titan Steel Wheels Ltd
 Kidderminster, UK

Titan Distribution (UK) Ltd
 St. Helens, UK

Titan Italia SpA
 Crespellano (BO), Italy
 Finale Emilia (MO), Italy
 Jesi (AN), Italy

Titan France SAS
 Flers, France

Titan Asia A.S.
 Aydin, Turkey

Wheels India Ltd
 Tamilnadu, India
 (Minority Share)

Italtractor ITM SpA
 Fanano (MO), Italy
 Ceperano (FR), Italy
 Potenza, Italy

Titan Intertractor GmbH
 Gevelsberg, Germany

Pyrsa Piezas y Rodajes S.A.
 Monreal del Campo
 (Teruel), Spain

Intertractor America Corp.
 Elkhorn, WI, USA
 Winston-Salem, NC, USA

ITM Latin America Ltda
 Atibaia, São Paulo, Brazil

ITM Track (Tianjin) Ltd
 Tianjin, P.R. of China

Titan ITM (Tianjin) Co. Ltd
 WDA Tianjin, P.R. of China

Titan ITM Japan Ltd
 Yokohama, Japan