



# UNDERCARRIAGE COMPONENTS FOR MINING DOZERS AND EXCAVATORS

ITM is a worldwide leader specialising in the design, development and manufacture of undercarriage components and systems for earthmoving, construction, mining, agricultural crawler machines as well as specialised non-standard applications.

In response to the increasing demand for machines suitable to meet specific working environments and applications, ITM is proud to offer the most advanced solutions and comprehensive service to the mining industry.

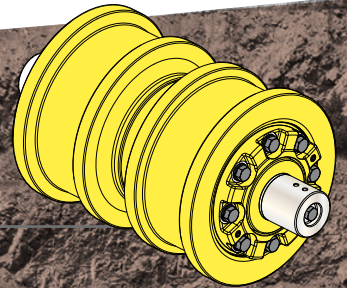
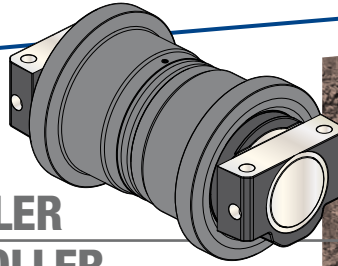
For many years ITM has been the supplier of choice to many Original Equipment Manufacturers of Mining Machines worldwide.

By the design and engineering expertise, extensive research and development, combined with the usage of the most advanced technologies, ITM develops innovative, reliable and competitive products, that meet the highest quality standards.

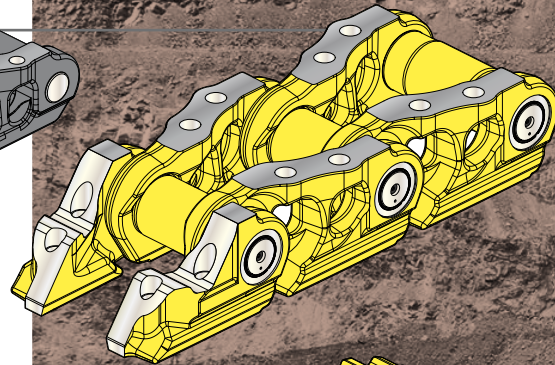
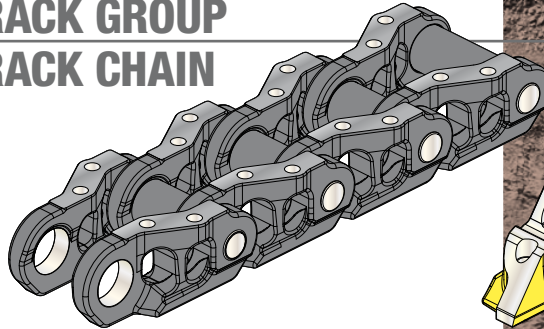
ITM focuses on providing the best supply service to its Customers, before, during and after the sale.

The mining industry is a key focus for the Group and ITM's strategic objective is to establish, directly or through ITM Distributors, a well-integrated network of Mining Service Centres in the major mining areas around the world which will provide a complete specialised undercarriage maintenance service. ITM mining service centres have properly trained professionals, the right expertise and tools, backed up by the best parts availability to enable machines to be up and running quickly and reliably.

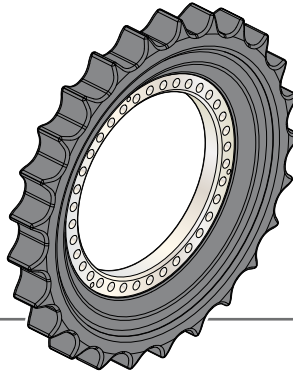
## TRACK ROLLER CARRIER ROLLER



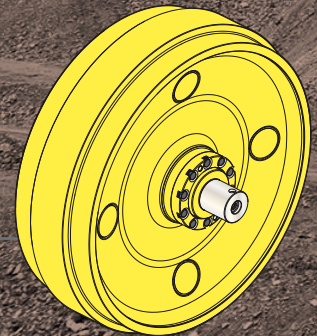
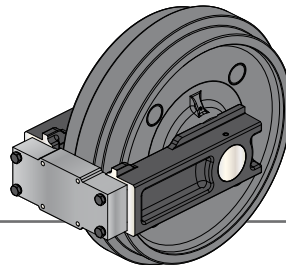
## TRACK GROUP TRACK CHAIN



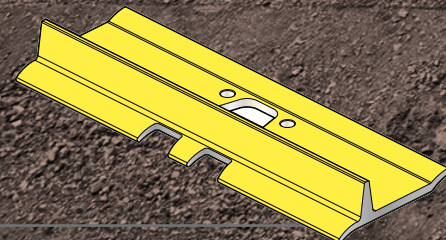
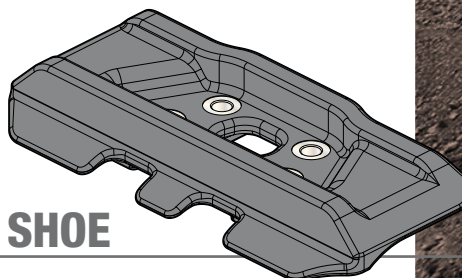
## SPROCKET



## IDLER



## TRACK SHOE



# CATERPILLAR



Brand	Machine Model/Series	Chain Pitch (mm)
<b>CATERPILLAR</b>	<b>D8N-R-T</b>	<b>215,90</b>
<b>Description</b>	<b>ITM P/N</b>	
Track Group	M01081R5M44559	
Track Group	M01081R5M44610	
Track Group	M01081R6M44559	
Track Group	M01081R6M44610	
Track Chain	G01080A0M00044	
Track Group PPR	M01081J0M44610	
Track Chain PPR	G01080J0M00044	
Track Shoe	Z01081N2N0559V	
Track Shoe	Z01081N2N0610V	
Track Shoe	ZZ1081R0N0559V	
Track Shoe	ZZ1081R0N0610V	
Track Roller	A01089T0M00	
Track Roller	B01089T0M00	
Carrier Roller	C01081N0M00	
Segment Group	S01085T0M00	
Front Idler	P01080R4M00	
Rear Idler	P01080R5M00	
<b>CATERPILLAR</b>	<b>D9N-R-T</b>	<b>240,00</b>
<b>Description</b>	<b>ITM P/N</b>	
Track Group	M01091N2M43610	
Track Chain	G01090R0M00043	
Track Group PPR	M01091S0M43610	
Track Chain PPR	G01090S0M00043	
Track Shoe	Z01091N1N0610V	
Track Roller (Carrier)	A01099R0M00	
Track Roller	A01099R0M00	
Track Roller	B01099R0M00	
Segment Group	S01095N0M00	
Idler	P01090R0M00	
<b>CATERPILLAR</b>	<b>D10N-R-T</b>	<b>260,40</b>
<b>Description</b>	<b>ITM P/N</b>	
Track Group IPR with ES Shoes	M01101R5M44610	
Track Group IPR with ES Shoes	M01101R5M44710	
Track Group IPR with ES Shoes	M01101R5M44760	
Track Chain IPR	G01100T2M00044	
Track Shoe ES	Z01101P1N0610V	
Track Shoe ES	Z01101P1N0710V	
Track Shoe ES	Z01101P1N0760V	
Track Group IPR with SES Shoes	M01101U0M44610	
Track Shoe SES	Z01101V0N0610V	
Track Group PPR with SES Shoes	M01101T0M44610	
Track Group PPR with SES Shoes	M01101T0M44710	
Track Chain PPR	G01100S0M00044	
Track Shoe SES	Z01101V0N0710V	
Track Roller (Carrier)	A01109T1M00	
Track Roller	A01109T1M00	
Track Roller	B01109T1M00	
Segment Group	S01105N0M00	
Idler	P01100T0M00	



# CATERPILLAR

# KOMATSU

Brand	Machine Model/Series	Chain Pitch (mm)
<b>CATERPILLAR</b>	<b>D11N-R-T</b>	<b>317,50</b>
<b>Description</b>	<b>ITM P/N</b>	
Track Group IPR with ES Shoes	M01111R4M41711	
Track Group IPR with ES Shoes	M01111R4M41810	
Track Group IPR with ES Shoes	M01111R4M41915	
Track Chain IPR	G01110T1M00041	
Track Shoes ES	Z01111D0N0711V	
Track Shoe ES	Z01111D0N0810V	
Track Shoe ES	Z01111D0N0915V	
Track Group PPR with ES Shoes	M01111S0M41711	
Track Chain PPR	G01110S0M00041	
Track Roller (Carrier)	A01119N0M00	
Track Roller	A01119N0M00	
Track Roller	B01119N0M00	
Segment Group	S01115T0M00	
Idler	P01110N3M00	
<b>CATERPILLAR/BUCYRUS</b>	<b>6030 RH120E</b>	<b>350,00</b>
<b>Description</b>	<b>ITM P/N</b>	
Track Group Complete	L2B30000M47A00	
Monoblock	D2B300A0M05	
Track Roller	A2B30000M00	
Carrier Roller	C2B30000M00	
Idler	P2B30400M00	
Tumbler	R2B30000M01	
<b>CATERPILLAR/BUCYRUS</b>	<b>6040 RH170</b>	<b>350,00</b>
<b>Description</b>	<b>ITM P/N</b>	
Track Group Complete	L2B40MA0M42C00	
Monoblock	D2B40000M05	
Track Roller	A2B30000M00	
Track Roller (Carrier)	A2B40000M00	
Idler	P2B40400M00	
Sprocket	R2B40000M01	
<b>CATERPILLAR/BUCYRUS</b>	<b>7495 495HR2</b>	<b>508,00</b>
<b>Description</b>	<b>ITM P/N</b>	
Track Group Complete	L01747A0M47L00	
Track Group Section	L0174700M01L00	
Track Group Section	L0174700M02L00	
Monoblock	D01740A0M05	
Track Roller	A0174000M00	
Rear Track Roller	A01740A0M00	
Idler w/bushings	P0174400M00	
Sprocket	R0174000M01	

Brand	Machine Model/Series	Chain Pitch (mm)
<b>KOMATSU</b>	<b>D155A</b>	<b>228,60</b>
<b>Description</b>	<b>1; 2</b>	
	<b>ITM P/N</b>	
Track Group	K4015100M41560	
Track Chain	E4015000M00041	
Track Group	M40151D0M41560	
Track Chain	G40150D0M00041	
Track Shoe	Z40151C0N0560V	
Track Roller	A4015000M00	
Track Roller	B4015000M00	
Carrier Roller	C40151G0M00	
Segment Group	S40155A0M00	
Idler	P4015400M00	
<b>KOMATSU</b>	<b>D155A</b>	<b>228,60</b>
<b>Description</b>	<b>3; 5 65001-UP</b>	
	<b>ITM P/N</b>	
Track Group	M40131A0M41560	
Track Chain	G40130A0M00041	
Track Group	K4013100M41560	
Track Chain	E4013000M00041	
Track Shoe	Z40151C0N0560V	
Track Roller	A40159D0M00	
Track Roller	B40159D0M00	
Carrier Roller	C40151G0M00	
Segment Group	S40155A0M00	
<b>KOMATSU</b>	<b>D155AX</b>	<b>228,60</b>
<b>Description</b>	<b>3; 5 65001-UP</b>	
	<b>ITM P/N</b>	
Track Group	K4013100M41560	
Track Chain	E4013000M00041	
Track Group	M40131A0M41560	
Track Chain	G40130A0M00041	
Track Shoe	Z40151C0N0560V	
Track Roller	A40159D0M00	
Track Roller	B40159D0M00	
Carrier Roller	C40151G0M00	
Segment Group	S40155A0M00	
<b>KOMATSU</b>	<b>D155AX</b>	<b>228,60</b>
<b>Description</b>	<b>6 80001-UP</b>	
	<b>ITM P/N</b>	
Track Group	K4013100M42560	
Track Chain	E4013000M00042	
Track Group	M40131A0M42560	
Track Chain	G40130A0M00042	
Track Shoe	Z40151C0N0560V	
Track Roller	A40159D0M00	
Track Roller	B40159D0M00	
Carrier Roller	C40151G0M00	
Segment Group	S40155A0M00	
Idler	P40154A0M00U	
<b>KOMATSU</b>	<b>D275A</b>	<b>260,35</b>
<b>Description</b>	<b>2 10001-UP</b>	
	<b>ITM P/N</b>	
Track Shoe	Z4027100N0610V	
<b>KOMATSU</b>	<b>D275A</b>	<b>260,35</b>
<b>Description</b>	<b>5 25001-UP</b>	
	<b>ITM P/N</b>	
Track Group	M4027101M39710	
Track Chain	G4027001M00039	
Track Shoe	Z4027100N0710V	
Track Roller	A4027900M00	
Track Roller	B4027900M00	
Carrier Roller	C4027100M00	
Segment Group	S40275A0M00	
Idler	P4027000M00	

# KOMATSU

Brand	Machine Model/Series	Chain Pitch (mm)
<b>KOMATSU</b>	<b>D275AX</b>	<b>260,60</b>
<b>Description</b>	<b>5 25001-UP</b>	<b>ITM P/N</b>
Track Group	M4027101M39710	
Track Chain	G4027001M00039	
Track Shoe	Z4027100N0710V	
Track Roller	A4027900M00	
Track Roller	B4027900M00	
Carrier Roller	C4027100M00	
Segment Group	S40275A0M00	
Idlers	P4027000M00	
<b>KOMATSU</b>	<b>D355A</b>	<b>260,35</b>
<b>Description</b>	<b>1 01010 - 01631</b>	
	<b>3 01632 -12621</b>	
	<b>5 12622-UP</b>	
	<b>ITM P/N</b>	
Track Group	K40351A0M39610	
Track Chain	E40350A0M00039	
Track Group	M4035100M39610	
Track Chain	G4035000M00039	
Track Shoe	Z40351B0N0610V	
Track Roller	A4035000M00	
Track Roller	B4035000M00	
Carrier Roller	C4035100M00	
Segment Group	S4035500M00	
Idler	P4035400M00	
<b>KOMATSU</b>	<b>D375A</b>	<b>260,35</b>
<b>Description</b>	<b>1 15001-16000</b>	
	<b>ITM P/N</b>	
Track Shoe	Z40351B0N0610V	
<b>KOMATSU</b>	<b>D375A</b>	<b>280,00</b>
<b>Description</b>	<b>2 16001-17000</b>	
	<b>3 17001-18000</b>	
	<b>ITM P/N</b>	
Track Group	M4037101M40610	
Track Chain	G4037001M00040	
Track Shoe	Z4037100N0610V	
Track Roller	A4037000M00	
Track Roller	B4037000M00	
Carrier Roller	C4037101M00	
Segment Group	S40375B0M00	
<b>KOMATSU</b>	<b>D375A</b>	<b>280,00</b>
<b>Description</b>	<b>5 18001-UP</b>	
	<b>6 65001-UP</b>	
	<b>ITM P/N</b>	
Track Group	M40371A1M40610	
Track Group PPR	M40371C0M40610	
Track Chain	G40370A1M00040	
Track Chain PPR	G40370B0M00040	
Track Shoe	Z4037100N0610V	
Track Roller	A40370A1M00	
Track Roller	B40370A1M00	
Carrier Roller	C4037101M00	
Segment Group	S40375B0M00	
Idler	P4037000M00	
<b>KOMATSU</b>	<b>D475A</b>	<b>317,50</b>
<b>Description</b>	<b>1 10001-10200</b>	
	<b>2 10201-10600</b>	
	<b>ITM P/N</b>	
Track Group	M4047102M39710	
Track Chain	G4047002M00039	
Track Shoe	Z4047100N0710V	
Track Roller	A4047000M00	
Track Roller	B4047000M00	
Carrier Roller	C4047101M00	
Segment Group	S4047501N00	

# KOMATSU

Brand	Machine Model/Series	Chain Pitch (mm)
<b>KOMATSU</b>	<b>D475A</b>	<b>317,50</b>
<b>Description</b>	<b>3 10601-20000</b>	
	<b>ITM P/N</b>	
Track Group	M40471B0M40710	
Track Chain	G40470B0M00040	
Track Shoe	Z4047100N0710V	
Track Shoe	Z4047100N0710F	
Track Roller	A40479A0M00	
Track Roller	B40479A0M00	
Carrier Roller	C40471A0M00	
Segment Group	S4047501N00	
<b>KOMATSU</b>	<b>D475A</b>	<b>317,50</b>
<b>Description</b>	<b>5 20001-UP</b>	
	<b>ITM P/N</b>	
Track Group	M40470B0M40710	
Track Chain	G40470B0M00040	
Track Shoe	Z4047100N0710F	
Track Shoe	Z4047100N0710V	
Track Roller	A40479A0M00	
Track Roller	B40479A0M00	
Carrier Roller	C40471A0M00	
Segment Group	S4047501N00	
Idler	P4047000M00	
<b>KOMATSU</b>	<b>D475A</b>	<b>317,50</b>
<b>Description</b>	<b>5E0 30001-UP</b>	
	<b>ITM P/N</b>	
Track Group	M40471B0M41710	
Track Chain	G40470B0M00041	
Track Shoe	Z4047100N0710F	
Track Shoe	Z4047100N0710V	
Track Roller	A40479B0M00	
Track Roller	B40479A0M00	
Carrier Roller	C40471A0M00	
Segment Group	S4047501N00	
Idler	P4047000M00	
<b>KOMATSU</b>	<b>D475A</b>	<b>317,50</b>
<b>Description</b>	<b>5ASD 30001-UP</b>	
	<b>ITM P/N</b>	
Track Group	M40471B0M41710	
Track Chain	G40470B0M00041	
Track Shoe	Z4047100N0710F	
Track Shoe	Z4047100N0710V	
Track Roller	A40479B0M00	
Track Roller	B40479A0M00	
Carrier Roller	C40471A0M00	
Segment Group	S4047501N00	
Idler	P4047000M00	
<b>KOMATSU</b>	<b>PC800LC</b>	<b>280,00</b>
<b>Description</b>	<b>6; 7; 8</b>	
	<b>ITM P/N</b>	
Track Group	K40352A0M47610	
Track Chain	E40350A0M00047	
Track Shoe	Z7670200N0610V	
<b>KOMATSU</b>	<b>PC1250 - PC1250SP</b>	<b>280,00</b>
<b>Description</b>	<b>7 20001-UP</b>	
	<b>8 30001-UP</b>	
	<b>ITM P/N</b>	
Track Group	K40252A0M48700	
Track Chain	E4025001M00048	
Track Shoe	Z4012200N0700V	
Track Roller	A4025000M00	
Carrier Roller	C4025000M00	
Sprocket	R4025000M01	
Sprocket	P4025400M00	

# KOMATSU

Brand	Machine Model/Series	Chain Pitch (mm)
<b>KOMATSU</b>	<b>PC1250LC</b>	<b>280,00</b>
<b>Description</b>	<b>7 20001-UP</b> <b>8 30001-UP</b> <b>ITM P/N</b>	
Track Group	K40252A0M55700	
Track Chain	E4025001M00055	
Track Shoe	Z4012200N0700V	
Track Roller	A4025000M00	
Carrier Roller	C4025000M00	
Sprocket	R4025000M01	
Sprocket	P4025400M00	
<b>KOMATSU</b>	<b>PC2000</b>	<b>317,50</b>
<b>Description</b>	<b>8</b> <b>ITM P/N</b>	
Track Group	K40472A0M49810	
Track Chain	E40470A0M00049	
Track Shoe	Z4047200N0810V	
Track Roller	A402K000M00	
Carrier Roller	C402K100M00	
Sprocket	R40470B0M01	
Idler	P402K400M00	
<b>KOMATSU</b>	<b>PC3000</b>	<b>378,00</b>
<b>Description</b>	<b>6 46230-UP</b> <b>6E 06249-UP</b> <b>ITM P/N</b>	
Track Group (800mm)	SH3772-46800	
Track Group (1000mm)	SH3770-46A00	
Track Roller	SK6514	
Carrier Roller	SK6515	
Tumbler	SH3773	
Idler	SK6644	

# HITACHI

Brand	Machine Model/Series	Chain Pitch (mm)
<b>HITACHI</b>	<b>ZX850H</b>	<b>260,35</b>
<b>Description</b>	<b>ITM P/N</b>	
Track Group	K7670200M51650	
Track Chain	E7670700M00051	
Track Shoe	Z7670200N0650V	
Track Roller	A1680000M00	
Carrier Roller	C7670000M00	
Sprocket	R7670000M01	
Idler	P7675400N00	
Idler w/yoke	P7675300N00	
<b>HITACHI</b>	<b>ZX850HLC</b>	<b>260,35</b>
<b>Description</b>	<b>3</b> <b>ITM P/N</b>	
Track Group	K7670200M51650	
Track Chain	E7670700M00051	
Track Group	K7687200M51650	
Track Chain	E7687700M00051	
Track Shoe	Z7670200N0650V	
Track Roller	A1680000M00	
Carrier Roller	C7670000M00	
Sprocket	R7670000M01	
Idler	P7675400N00	
Idler w/yoke	P7675300N00	

# HITACHI

Brand	Machine Model/Series	Chain Pitch (mm)
<b>HITACHI</b>	<b>ZX870H; LCH; R; LCR</b>	<b>260,35</b>
<b>Description</b>	<b>3</b> <b>ITM P/N</b>	
Track Group	K7670200M51650	
Track Chain	E7670700M00051	
Track Group HD	K7687200M51650	
Track Chain HD	E7687700M00051	
Track Shoe	Z7670200N0650V	
Track Roller	A1680000M00	
Carrier Roller	C7612000M00	
Sprocket	R7670000M01	
Idler	P7675400N00	
Idler w/yoke	P7675300N00	
<b>HITACHI</b>	<b>EX1200</b>	<b>260,35</b>
<b>Description</b>	<b>5</b> <b>ITM P/N</b>	
Track Group	K76112A1M52710	
Track Chain	E76117A1M00052	
Track Shoe	Z7611200N0710V	
Track Roller	A7611001M00	
Carrier Roller	C7670000M00	
Sprocket	R7611000N01	
Idler	P7611400N00	
Idler w/yoke	P7611300N00	
<b>HITACHI</b>	<b>EX1200</b>	<b>280,00</b>
<b>Description</b>	<b>6</b> <b>ITM P/N</b>	
Track Group	K40252A0M49700	
Track Chain	E4025001M00049	
Track Shoe	Z4012200N0700V	
Track Roller	A76120A0M00	
Carrier Roller	C7612000M00	
Sprocket	R76120A0M01	
Idler	P7612400M00	
<b>HITACHI</b>	<b>EX1900</b>	<b>317,50</b>
<b>Description</b>	<b>6</b> <b>ITM P/N</b>	
Track Group	L76182A0M49810	
Track Chain	F7618001M00049	
Track Shoe	Z40472A0N0810V	
Track Roller	A7618000M00	
Carrier Roller	C76181A0N00	
Sprocket	R7618000N01	
Idler	P7619400M00	
<b>HITACHI</b>	<b>EX2500 - EX2600</b>	<b>440,00</b>
<b>Description</b>	<b>5; 6</b> <b>ITM P/N</b>	
Track Group	L7625700M39A00	
Monoblock	D7625000M05	
Track Roller	A76260A0M00	
Carrier Roller	C7625000M00	
Idler	P7625400M00	
Sprocket	R7625000M01	
<b>HITACHI</b>	<b>EX3600</b>	<b>497,00</b>
<b>Description</b>	<b>6</b> <b>ITM P/N</b>	
Track Group	L7635000M38C70	
Monoblock	D7635000M05	
Track Roller	A76350A0M00	
Carrier Roller	C7636000M00	
Idler	P7636400M00	
Sprocket	R7635000M01	
<b>HITACHI</b>	<b>EX5600</b>	<b>525,00</b>
<b>Description</b>	<b>6</b> <b>ITM P/N</b>	
Track Group	L7660M00M39E00	
Monoblock	D7660000M05	
Track Roller	A76600A0M00	
Carrier Roller	C7660000M00	
Idler	P7660400M00	
Sprocket	R7660000M01	

# LIEBHERR

# SHANTUI

Brand	Machine Model/Series	Chain Pitch (mm)
<b>LIEBHERR</b>	<b>PR764</b>	<b>240,00</b>
<b>Description</b>	<b>ITM P/N</b>	
Track Group PPR	M01091S0M44610	
Track Chain PPR	G01090S0M00044	
Track Shoe	Z01091N1N0610V	
Track Roller	A01099R0M00	
Track Roller	B01099R0M00	
Carrier Roller	C4964100M00	
<b>LIEBHERR</b>	<b>PR754</b>	<b>228,60</b>
<b>Description</b>	<b>ITM P/N</b>	
Track Group	M01081R6M44610	
Track Chain	G01080A0M00044	
Track Shoe	ZZ1081R0N0610V	
Track Group	M01081R6M44559	
Track Chain	G01080A0M00044	
Track Shoe	ZZ1081R0N0559V	
Track Roller	A01089T0M00	
Track Roller	B01089T0M00	
Carrier Roller	C01081N0M00	
<b>LIEBHERR</b>	<b>PR776</b>	<b>260,40</b>
<b>Description</b>	<b>ITM P/N</b>	
Track Group	M01101S0M44610	
Track Chain with PPR	G01100S0M00044	
Track Shoe	Z01101P1N0610V	
Track Roller	A01109T1M00	
Track Roller	B01109T1M00	
Track Roller (Carrier)	A01109T1M00	
Segment Group	S01105N0M00	
Idler	P01100T0M00	
<b>LIEBHERR</b>	<b>R984C (LITRONIC HD) STANDARD</b>	<b>280,00</b>
<b>Description</b>		
Track Group	K49842COM49600	
Track Chain	E49840COM00049	
Track Shoe	Z4984200N0600V	
Track Roller	A4984000M00	
Carrier Roller	C14111A0Y00	
Sprocket	R49840COM01	
Idler	P49844A0Y00	
<b>LIEBHERR</b>	<b>R984C (LITRONIC HD) ITM P/N</b>	<b>280,00</b>
<b>Description</b>		
Track Group	K4984200M53600	
Track Chain	E4984000M00053	
Track Shoe	Z4984200N0600V	
Track Roller	A4984000M00	
Carrier Roller	C14111A0Y00	
Sprocket	R49840COM01	
Idler	P49844A0Y00	
<b>LIEBHERR</b>	<b>R9250</b>	<b>350,00</b>
<b>Description</b>	<b>ITM P/N</b>	
Track Group	L14122COM49850	
Track Chain	F14128A0M00024	
Track Chain	F14128A0M00025	
Track Shoe	Z1412200N0850V	
Track Roller	A49940A0M00	
Carrier Roller	C1411000Y00	
Sprocket	R49250A0M01	
Idler	PV9944D0Y00	
<b>LIEBHERR</b>	<b>R9350 STANDARD</b>	<b>350,00</b>
<b>DESCRIPTION</b>		
Track Group	L14122A0M50850	
Track Chain	F1412800M00025	
Track Chain	F1412800M00025	
Track Shoe	Z1412200N0850V	
Track Roller	A4935000M00	
Carrier Roller	C1411000Y00	
Sprocket	R49350A0M01	
Idler	P4935400M00	

Brand	Machine Model/Series	Chain Pitch (mm)
<b>SHANTUI</b>	<b>SD42</b>	<b>260,40</b>
<b>Description</b>	<b>ITM P/N</b>	
Track Group	M01101R5M41610	
Track Chain	G01100T2M00041	
Track Shoe	Z01101P1N0610V	
Track Roller	A01109T1M00	
Track Roller	B01109T1M00	
Carrier Roller	C4035100M00	
Segment Group	S4035500M00	
Idler	P4035000N00	
<b>SHANTUI</b>	<b>SD52</b>	<b>280,00</b>
<b>Description</b>	<b>ITM P/N</b>	
Track Group	M40371A1M40610	
Track Chain	G40370A1M00040	
Track Shoe	Z4037100N0610V	
Track Roller	A4037000M00	
Track Roller	B4037000M00	
Carrier Roller	C4037101M00	
Segment Group	S40375B0M00	

For additional non-listed components, please contact ITM or the ITM Dealer nearest to you.



**Titan International**  
 Quincy, IL, USA  
 Bryan, OH, USA  
 Des Moines, IA, USA  
 Freeport, IL, USA  
 Saltville, VA, USA

**Titan Tire Corporation**  
 Union City, TN, USA

**Titan Pneus do Brasil Ltda**  
 São Paulo, Brazil

**Voltyre-Prom**  
 Volgograd, Russia

**Titan Mining Services (TMS) SWT**  
 Saskatoon, SK, Canada

**Titan Mining Services (TMS) Titan Australia Pty Ltd**  
 Emerald, QLD, Australia  
 Kalgoorlie, WA, Australia  
 Karratha, WA, Australia  
 Mildura, VIC, Australia

Muswellbrook, NSW, Australia  
 Perth, WA, Australia  
 Port Hedland, WA, Australia  
 Sydney, NSW, Australia  
 Whyala, SA, Australia  
 Yatala, QLD, Australia

**Titan Mining Services (TMS) PT Titan Wheels Indonesia**  
 Jakarta, Indonesia

**Titan Mining Services (TMS) Titan Wheels South Africa (Pty) Ltd**  
 Nuffield, Springs, SA

**Titan Mining Services (TMS) Aros del Pacifico S.A.C.**  
 Lima, Peru

**Titan Mining Services (TMS) Aros del Pacifico S.A.**  
 Santiago, Chile  
 Iquique, Chile

**Titan Steel Wheels Ltd**  
 Kidderminster, UK

**Titan Distribution (UK) Ltd**  
 St. Helens, UK

**Titan Italia SpA**  
 Crespellano (BO), Italy  
 Finale Emilia (MO), Italy  
 Jesi (AN), Italy

**Titan France SAS**  
 Flers, France

**Titan Asia A.S.**  
 Aydin, Turkey

**Wheels India Ltd**  
 Tamilnadu, India  
 (Minority Share)

**Italtractor ITM SpA**  
 Fanano (MO), Italy  
 Ceprano (FR), Italy  
 Potenza, Italy

**Titan Intertractor GmbH**  
 Gevelsberg, Germany

**Pyrsa Piezas y Rodajes S.A.**  
 Monreal del Campo  
 (Teruel), Spain

**Intertractor America Corp.**  
 Elkhorn, WI, USA  
 Winston-Salem, NC, USA  
 Gillette, WY, USA

**ITM Latin America Ltda**  
 Atibaia, São Paulo, Brazil  
 Parauapebas, Pará, Brazil

**ITM Track (Tianjin) Ltd**  
 Tianjin, P.R. of China

**Titan ITM (Tianjin) Co. Ltd**  
 WDA Tianjin, P.R. of China

**Titan ITM Japan Ltd**  
 Yokohama, Japan