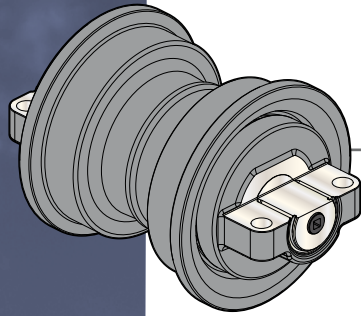
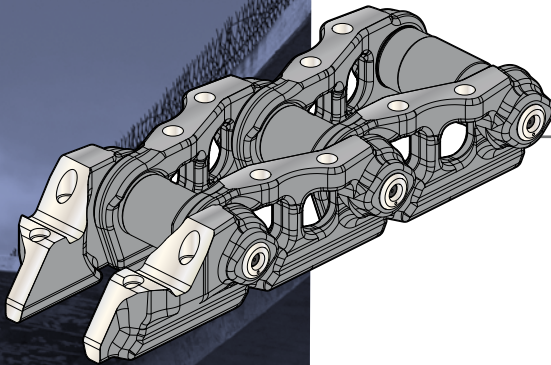
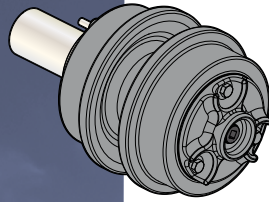




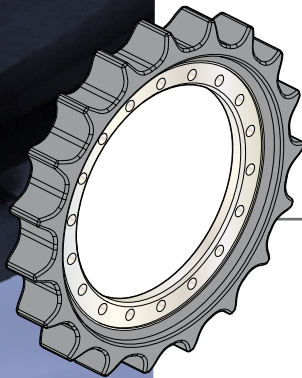
UNDERCARRIAGE COMPONENTS FOR CONSTRUCTION DOZERS



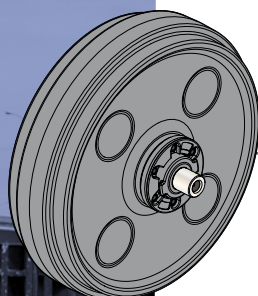
**TRACK ROLLER
CARRIER ROLLER**



**TRACK GROUP
TRACK CHAIN**



SPROCKET



IDLER

ITM is a worldwide leader specialising in the design, development and manufacture of undercarriage components and systems for earthmoving, construction, mining, agricultural crawler machines as well as specialised non-standard applications.

In response to the increasing demand for machines suitable to meet every specific application, ITM is proud to offer a wide range of components and system solutions for crawler machines used in the construction industry.

For many years ITM has been the supplier of choice to many Original Equipment Manufacturers of construction machines.

By the design and engineering expertise, extensive research and development, combined with the usage of the most advanced technologies, ITM develops innovative, reliable and competitive products, that meet the highest quality standards.

The Customer is ITMs focus: through a combination of localised manufacturing and a distribution network that covers most of the world, the ITM Group supports its customers through its proximity to them and its continuous monitoring of their needs.



UNDERCARRIAGE COMPONENTS FOR CONSTRUCTION DOZERS



CATERPILLAR

Brand	Machine Model	Chain Pitch (mm)
CATERPILLAR	D3	155,60
Description	ITM P/N	
Track Group	K01031A0M36305	
Track Group	K01031A0M39635	
Track Chain	E01030C0M00036	
Track Chain	E01030C0M00039	
Track Chain	G01030D1M00036	
Track Chain	G01030D1M00039	
Track Shoe	Z01031C0N0305V	
Track Shoe	Z01031C0N0635V	
Track Roller	A01030A0M00	
Track Roller	B01030A0M00	
Carrier Roller	C0103100N00	
Sprocket	R0103000M01	
Idler	P0103400M00	
CATERPILLAR	D4H	171,10
Description	ITM P/N	
Track Group	M01041H3M39356	
Track Group	M01041H3M39457	
Track Group	M01041H3M41508	
Track Group	M01041H3M44457	
Track Group	M01041H3M44762	
Track Group w/MD Shoes	M01041L1M39457	
Track Group w/MD Shoes	M01041L1M41508	
Track Group w/MD Shoes	M01041L1M44457	
Track Group w/MD Shoes	M01041L1M44762	
Track Chain	G01040H2M00039	
Track Chain	G01040H2M00044	
Track Chain	G01040L0M00039	
Track Chain	G01040L0M00041	
Track Shoe/moderate service	Z01041H1N0355V	
Track Shoe/moderate service	Z01041H1N0457V	
Track Shoe/moderate service	Z01041H1N0508V	
Track Shoe/moderate service	Z01041H1N0762V	
Track Roller	A01040L1M00	
Track Roller	B01040L1M00	
Carrier Roller	C0104100M00	
Segment Group w/o screw&nut	S01045K0M00	
Segment Group w/o screw&nut	S01045L0M00	
Idler	P01040P0M00	
Idler	P01040R0M00	
CATERPILLAR	D5	175,40
Description	ITM P/N	
Track Group	K01051C0M38457	
Track Group	K01051C0M38508	
Track Group	K01051C0M39406	
Track Group	K01051C0M39457	
Track Group	K01051C0M46864	
Track Chain	E01050C0M00038	
Track Chain	E01050C0M00039	
Track Chain	E01050C0M00046	
Track Shoe/moderate service	Z0105102N0406V	
Track Shoe/moderate service	Z0105102N0457V	
Track Shoe/moderate service	Z0105102N0508V	
Track Shoe/moderate service	Z0105102N0864V	
Track Roller	A01060B1M00	
Track Roller	B01060B1M00	
Carrier Roller	C0105100M00	
Segment Groups w/o screw&nut	S01055D0M00	
Idler	P01060A0N00	
Idler	P01060C0N00	

Brand	Machine Model	Chain Pitch (mm)
CATERPILLAR	D6H	202,80
Description	ITM P/N	
Track Group	M01061H2M39559	
Track Group	M01061H2M40508	
Track Group	M01061H2M40559	
Track Group	M01061H2M41559	
Track Group	M01061H2M45915	
Track Group	M01061L0M39559	
Track Group	M01061L0M40559	
Track Group	M01061L0M41559	
Track Group	M01061L0M45915	
Track Chain	G01060H2M00039	
Track Chain	G01060H2M00040	
Track Chain	G01060H2M00041	
Track Chain	G01060H2M00045	
Track Chain	G01060L0M00039	
Track Chain	G01060L0M00040	
Track Chain	G01060L0M00041	
Track Chain	G01060L0M00045	
Track Shoe	Z01061H0N0508V	
Track Shoe	Z01061H0N0559V	
Track Shoe	Z01061H0N0915V	
Track Roller	A01060L0M00	
Track Roller	B01060L0M00	
Carrier Roller	C01061H0M00	
Segment Groups w/o screw&nut	S01065L0M00	
Idler	P01060F0M00	
Idler	P01060R0M00	
CATERPILLAR	D6M	190,00
Description	ITM P/N	
Track Group	M01051N0M40610	
Track Group	M01051N0M46710	
Track Group	M01051N0M46865	
Track Group	M01051N0M47865	
Track Chain	G01050L1M00040	
Track Chain	G01050L1M00046	
Track Chain	G01050L1M00047	
Track Shoe	Z01051L0N0610V	
Track Shoe	Z01051L0N0710V	
Track Shoe	Z01051L0N0865V	
Track Roller	A01050L1M00	
Track Roller	B01050L1M00	
Carrier Roller	C01051H0M00	
Segment Groups w/o screw&nut	S01065M0M00	
Idler	P01050R0M00	
CATERPILLAR	D6N	190,00
Description	ITM P/N	
Track Group	M01051N0M40560	
Track Group	M01051N0M46865	
Track Chain	G01050L1M00040	
Track Chain	G01050L1M00046	
Track Shoe	Z01051L0N0560V	
Track Shoe	Z01051L0N0865V	
Track Roller	A01050L1M00	
Track Roller	B01050L1M00	
Carrier Roller	C01051H0M00	
Segment Groups w/o screw&nut	S01065M0M00	
Idler	P01050R0M00	

Brand	Machine Model	Chain Pitch (mm)
CATERPILLAR	D6R	202,80
Description	ITM P/N	
Track Group	M01061L0M39559	
Track Group	M01061L0M40559	
Track Group	M01061L0M41559	
Track Group	M01061L0M41610	
Track Group	M01061L0M41762	
Track Group	M01061L0M45915	
Track Chain	G01060L0M00039	
Track Chain	G01060L0M00040	
Track Chain	G01060L0M00041	
Track Chain	G01060L0M00045	
Track Shoe	Z01061H0N0559V	
Track Shoe	Z01061H0N0610V	
Track Shoe	Z01061H0N0762V	
Track Shoe	Z01061H0N0915V	
Track Roller	A01060L0M00	
Track Roller	B01060L0M00	
Carrier Roller	C01061H0M00	
Segment Groups w/o screw&nut	S01065L0M00	
Idler	P01060F0M00	
Idler	P01060R0M00	
CATERPILLAR	D7H	215,90
Description	ITM P/N	
Track Group	M01071L0M40559	
Track Group	M01071L0M41559	
Track Group	M01071L0M43914	
Track Chain	G01070L0M00040	
Track Chain	G01070L0M00041	
Track Chain	G01070L0M00043	
Track Shoe	Z01071H0N0559V	
Track Shoe	Z01071H0N0914V	
Track Shoe	Z01081N0N0559V	
Track Shoe	Z01081N0N0914V	
Track Roller	A01070A2M00	
Track Roller	B01070A2M00	
Carrier Roller	C0107100M00	
Segment Groups w/o screw&nut	S01085T0M00	
Idler	P01070F0M00	
Idler	P01070R0M00	
CATERPILLAR	D7R	215,90
Description	ITM P/N	
Track Group	M01071L0M40559	
Track Group	M01071L0M41559	
Track Group	M01071L0M41660	
Track Group	M01071L0M43914	
Track Chain	G01070L0M00040	
Track Chain	G01070L0M00041	
Track Chain	G01070L0M00043	
Track Shoe	Z01081N0N0559V	
Track Shoe	Z01081N0N0660V	
Track Shoe	Z01081N0N0914V	
Track Roller	A01070A2M00	
Track Roller	B01070A2M00	
Carrier Roller	C0107100M00	
Segment Groups w/o screw&nut	S01085T0M00	
Idler	P01070F0M00	
Idler	P01070R0M00	

Brand	Machine Model/Series	Chain Pitch (mm)
KOMATSU	D61EX	190,00
Description	ITM P/N	
Track Group	M4061100M40600	
Track Chain	G4061000M00040	
Track Shoe	Z14601D0N0600V	
Track Roller	A4060000M00	
Track Roller	B4060000M00	
Carrier Roller	C4061100M00	
KOMATSU	D61PX	190,00
Description	ITM P/N	
Track Group	M4061100M46860	
Track Chain	G4061000M00046	
Track Shoe	Z14601D0N0860V	
Track Roller	A4060000M00	
Track Roller	B4060000M00	
Carrier Roller	C4061100M00	
KOMATSU	D65EX	203,20
Description	ITM P/N	
Track Group	K40651E2M39510	
Track Chain	E40657E1M00039	
Track Shoe	Z40651E0N0510V	
Track Shoe	Z40651E0N0610V	
Track Roller	A40650E0M00	
Track Roller	B40650E0M00	
Carrier Roller	C40651E0M00	
Segment Group w/o screw&nut	S40655F0M00	
Idler	PV0654A1Y00	
KOMATSU	D65PX	203,20
Description	ITM P/N	
Track Chain	E40657E1M00045	
Track Chain	G40650E1M00045	
Track Shoe	Z40651E0N0610V	
Track Shoe	Z40651E0N0915V	
Track Roller	A40650E0M00	
Track Roller	B40650E0M00	
Carrier Roller	C40651E0M00	
Segment Group w/o screw&nut	S40655F0M00	
Idler	PV0654A1Y00	
KOMATSU	D85E	216,00
Description	ITM P/N	
	18 25001-35000	
	21 35001-UP	
Track Group	K4085100M41560	
Track Chain	E4085000M00041	
Track Shoe	Z40851A0N0560V	
Track Roller	A40850A0M00	
Track Roller	B40850A0M00	
Carrier Roller	C40851A0M00	
Segment Group w/o screw&nut	S40855D1M00	
KOMATSU	D85E	203,20
Description	ITM P/N	
	2A 05508-UP	
Track Group	K40651E2M42510	
Track Chain	E40657E1M00042	
Track Shoe	Z40651E0N0510V	
Track Roller	A40650E0M00	
Track Roller	B40650E0M00	
Carrier Roller	C40651E0M00	
Segment Group w/o screw&nut	S40655F0M00	
Idler	PV0654A1Y00	

KOMATSU

Brand	Machine Model/Series	Chain Pitch (mm)
KOMATSU	D85P	216,00
Description	ITM P/N	
Track Group	K4085100M45910	
Track Chain	E4085000M00045	
Track Shoe	Z40851A0N0910V	
Track Roller	A40850A0M00	
Track Roller	B40850A0M00	
Carrier Roller	C40851A0M00	
Segment Group w/o screw&nut	S40855D1M00	

SHANTUI

Brand	Machine Model	Chain Pitch (mm)
SHANTUI	SD16 - SD16C	203,20
Description	ITM P/N	
Track Group	M40651D0M37510	
Track Group	M40651D0M37610	
Track Group	M40651D0M39510	
Track Chain	G40650C0M00037	
Track Chain	G40650C0M00039	
Track Shoe	ZV0651H0N0510V	
Track Shoe	ZV0651H0N0610V	
Track Roller	A40650E0M00	
Track Roller	B40650E0M00	
Carrier Roller	C40651A0M00	
Segment Groups w/o screw&nut	S40655E0M00	
Idler	P4065000N00	
SHANTUI	SD22 - SD23	216,00
Description	ITM P/N	
Track Group	M40851C0M38560	
Track Group	M40851C0M39560	
Track Chain	G40850C0M00038	
Track Chain	G40850C0M00039	
Track Shoe	Z40851A0N0560V	
Track Roller	A40850A0M00	
Track Roller	B40850A0M00	
Carrier Roller	C40851A0M00	
Segment Groups w/o screw&nut	S40855D1M00	
SHANTUI	SD32	228,60
Description	ITM P/N	
Track Group	M40131A1M41560	
Track Chain	G40130A0M00041	
Track Shoe	Z40151B0N0560V	
Track Roller	A4015000M00	
Track Roller	B4015000M00	
Carrier Roller	C40151G0M00	
Segment Groups w/o screw&nut	S40155A0M00	
Idler	P4015000N00	
SHANTUI	SD42	260,35
Description	ITM P/N	
Track Group	M01101R5M41610	
Track Chain	G01100T2M00041	
Track Shoe	Z01101P1N0610V	
Track Roller	A01109T1M00	
Track Roller	B01109T1M00	
Carrier Roller	C4035100M00	
Segment Groups w/o screw&nut	S4035500M00	
Idler	P4035000N00	

LIEBHERR

Brand	Machine Model	Chain Pitch (mm)
LIEBHERR	PR724 - LR624	190,00
Description	ITM P/N	
Track Group	M01051N0M46610	
Track Chain	G01050L1M00046	
Track Shoe	Z01051L0N0610V	
Track Shoe	Z01051L0N0610F	
Track Roller	A4924000Y00	
Track Roller	B4924000Y00	
Carrier Roller	C01051H0M00	
Segment Groups w/o screw&nut	S4924500Y00V	
Idler	PZ624001N00	
LIEBHERR	PR736	202,80
Description	ITM P/N	
Track Group	M01061L1M45610	
Track Chain	G01060L0M00045	
Track Shoe	Z01061H1N0610V	
Track Shoe	Z01061S0N0610F	
Carrier Roller	C01061H0M00	
Idler	P4934000M00	

For additional non-listed components, please contact ITM or the ITM Dealer nearest to you.



Titan International

Quincy, IL, USA
 Bryan, OH, USA
 Des Moines, IA, USA
 Freeport, IL, USA
 Saltville, VA, USA

Titan Tire Corporation

Union City, TN, USA

Titan Pneus do Brasil Ltda

São Paulo, Brazil

Voltyre-Prom

Volgograd, Russia

Titan Mining Services (TMS)

SWT
 Saskatoon, SK, Canada

Titan Mining Services (TMS)

Titan Australia Pty Ltd
 Emerald, QLD, Australia
 Kalgoorlie, WA, Australia
 Karratha, WA, Australia
 Mildura, VIC, Australia

Muswellbrook, NSW, Australia
 Perth, WA, Australia
 Port Hedland, WA, Australia
 Sydney, NSW, Australia
 Whyalla, SA, Australia
 Yatala, QLD, Australia

Titan Mining Services (TMS)

PT Titan Wheels Indonesia
 Jakarta, Indonesia

Titan Mining Services (TMS)

Titan Wheels South Africa (Pty) Ltd
 Nuffield, Springs, SA

Titan Mining Services (TMS)

Aros del Pacifico S.A.C.
 Lima, Peru

Titan Mining Services (TMS)

Aros del Pacifico S.A.
 Santiago, Chile
 Iquique, Chile

Titan Steel Wheels Ltd

Kidderminster, UK

Titan Distribution (UK) Ltd

St. Helens, UK

Titan Italia SpA

Crespellano (BO), Italy
 Finale Emilia (MO), Italy
 Jesi (AN), Italy

Titan France SAS

Flers, France

Titan Asia A.S.

Aydin, Turkey

Wheels India Ltd

Tamilnadu, India
 (Minority Share)

Italtractor ITM SpA

Fanano (MO), Italy
 Ceprano (FR), Italy
 Potenza, Italy

Titan Intertractor GmbH

Gevelsberg, Germany

Pyrsa Piezas y Rodajes S.A.

Monreal del Campo
 (Teruel), Spain

Intertractor America Corp.

Elkhorn, WI, USA
 Winston-Salem, NC, USA
 Gillette, WY, USA
 Holden, WV, USA

ITM Latin America Ltda

Atibaia, São Paulo, Brazil
 Parauapebas, Pará, Brazil

ITM Track (Tianjin) Ltd

Tianjin, P.R. of China

Titan ITM (Tianjin) Co. Ltd

WDA Tianjin, P.R. of China